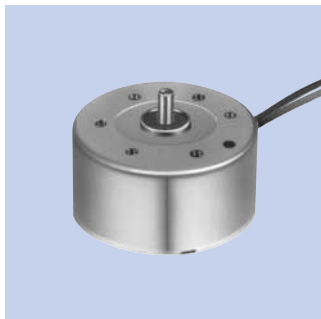


**Typical Applications** Audio and Visual Equipment : Car CD Player / DVD Player  
Office Automation Equipment : CD/DVD-ROM Drive

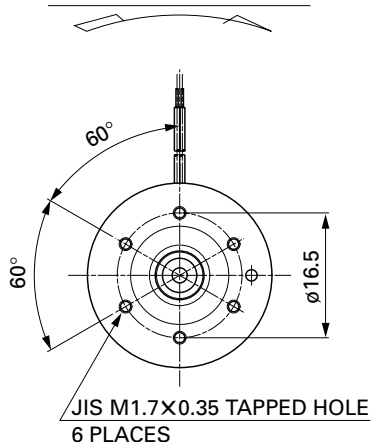


MODEL	VOLTAGE		NO LOAD		AT MAXIMUM EFFICIENCY					STALL		
	OPERATING RANGE	NOMINAL	SPEED	CURRENT	SPEED	CURRENT	TORQUE		OUTPUT	TORQUE		CURRENT
			r/min	A	r/min	A	mN-m	g-cm	W	mN-m	g-cm	A
RF-300EA-1D390	2.8 ~ 7.0	3.9V CONSTANT	4400	0.021	3520	0.084	0.47	4.8	0.17	2.35	24	0.34
RF-300EA-8Z485	1.6 ~ 11.0	8V CONSTANT	7100	0.021	5760	0.090	0.62	6.3	0.37	3.28	33	0.39

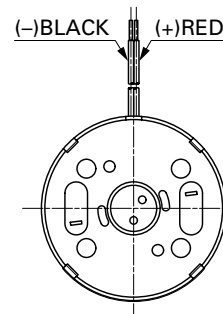
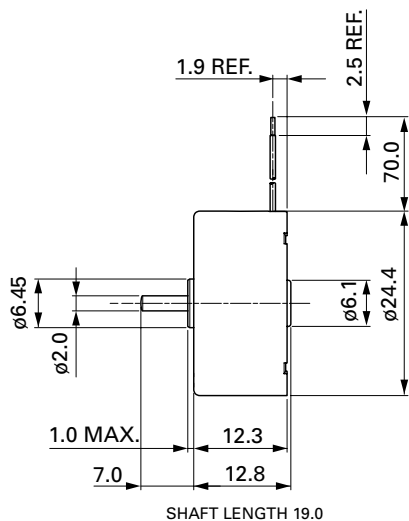
\*Also available with terminals (without leadwires).

**DIRECTION OF ROTATION**

UNIT: MILLIMETERS

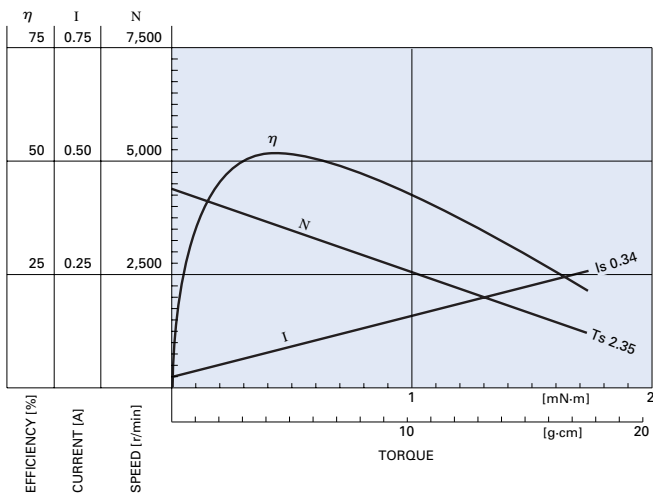


Usable machine screw length 1.1 max. from motor mounting surface.



**WEIGHT: 22g (APPROX)**

**RF-300EA-1D390** 3.9V



**RF-300EA-8Z485** 8.0V

